

A HISTORY OF THE 306th BOMBARDMENT GROUP - U. S. EIGHTH AIR FORCE
Russell A. Strong 2041 Hillsdale Kalamazoo, MI 49007

Name Myron L. Sorden
Address 1003 North B St., Indianola, Iowa 50125
Home Phone 515-961-5558 Date 2-14-82
Occupation retired professor Employer Simpson College
Address _____ Bus. Phone _____

Service Record:

Serial No(s): 0749456

Before joining 306th:

Joined the 393 Bomb Group at Sioux City, Iowa on July 2, 1943 for third phase training.

After leaving 306th:

Prisoner of war in Germany at Sagan.

306th Record:

Arrival date at Thurleigh October 6, 1943.
Squadron or other unit 367th.
MOS# 1034, I think. Specialty navigator
Missions completed (and date of last) Shot down on first mission, 10-8-43.
Promotions December 21, 1945 to 1st Lt. I was on terminal leave.

Decorations: __AM __olcs __DFC __olcs __SS __LM __SM PH __DSC __MH

On unusual DFCs, Silver Star and other medals I would appreciate receiving copies of the citations and an account of other details about the incident involving the award.

(OTHER INFORMATION): On the back of this sheet I would appreciate receiving any other information about your service with the 306th, or about incidents or people with whom you were associated.

I would also like the opportunity to inspect any pictures or other special materials which you may have in your possession relating to the 306th. Copies of Special Orders issued by any of the units at Thurleigh are especially helpful.

I do not have very fond memories of the 306. As you can see I was shot down less than 48 hours after I arrived.

Two small packages of personal effects were sent to my wife and parents. My uniforms didn't make it home. They were brand new, most ~~uniforms~~ had not been used.

My wife and parents received over 400 letters, but none from the 306th commander or chaplain.

I would like a book

Myron L. Jordan

Until Aug 1, 1987, the
below is my address.

MR. MYRON L. SORDEN
1003 NORTH B ST.
INDIANOLA, IA. 50125

after August 1, 1987,

My address is
on the check.

Please change.

Thank you

Myron L. Sorden

Feb 1, 1989

Dear Russ:

At Christmas time I sent Capt Paul George a letter at the new address you gave me at Las Vegas. After about three weeks it came back with the explanation, addressee unknown. I then used the old address and that had the zip code 33706. The correct one was 33707 but I least ~~that~~ they changed it at the post office and delivered it.

Papa's "his nickname in Prison Camp"; step son wrote me a note. He died June 24, 1987. He would have been 88 years old in October of 1987. He said his mother had a wonderful 31 years of marriage to Paul. He said he was in good health until early 1987, when they discovered he had a malignant spot on the left lung. They tried treating it with radiation but the treatments him and his heart gave out.

He is the third one of our crew (Ludgerwood 10-8-43) to die in the last 3 years, Acker & Levy also.

This will give you some fill space for the Echoes

Sincerely,

Myron L. Sorden

RECORDS UPDATE

306th BOMB GROUP ASSOCIATION

(Please complete as much of this form as you wish to, fold and mail as per address on reverse side. Or, if obtained at a reunion, hand to Russ Strong)

LAST NAME: SORDEN FIRST NAME: MYRON L. TITLE:
STREET ADDRESS: TELEPHONE: (515) 961-5558
CITY: 100 East Detroit Ave. #306 STATE: IOWA ZIP: 50125
Indianola Iowa 50125

DATE JOINED 306th ASSOCIATION: October 6, 1943

REUNIONS ATTENDED: (Years) 1983-4-5-6-7

WIFE'S NAME: Kathryn (Kay)

LAST EMPLOYMENT: Professor of Accounting, Simpson College, Indianola, Iowa

COLLEGE(S) ATTENDED:	DEGREE(S):	DATE:
William Penn College, Oskaloosa, Iowa	B.A.	1939
University of Iowa, Iowa City, Iowa	A.M.	1947

SERIAL #: 0-749456 SQDN: 367th MOS: 1034 (navigator)

DATE ARR: October 6, 1943 CREW: James Opdyke, T.C. Olsen & Clarence Couch

DATE DEPARTED: HIGHEST RANK IN 306th: 2nd. Lt.
October 8, 1943 (Flying with Tom Ledgerwood crew--never to return)

SERVICE RETIREMENT DATE: October 27, 1945. RANK or GRADE: 2nd Lt.
(promoted to 1st Lt. after separation)

DECORATIONS WITH 306TH:
Purple Heart after I was separated

TOP SERVICE ASSIGNMENT AFTER 306TH:

SPECIAL ASSIGNMENTS WITH 306TH:

QUESTIONNAIRE

CATERPILLAR CLUB - IRVING CHUTE COMPANY

NAME: Myron L. Sorden

COMBAT JUMP DATE & MISSION: October 8, 1943. Brennen, Germany

HEIGHT WHEN BAILED OUT: 3-5 thousand feet

ANY PROBLEMS WITH PARACHUTE: no. Thank you.

306th Bombardment Group. SQDN: 367th



Former Prisoner of War
at
Stalag Luft III

May 15, 1990

Dear Russ:

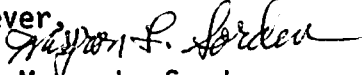
Enclosed is a check for the new edition of "First over Germany".

Also I talked with Henry H. Farmer, 4257 Chanwil Avenue, Memphis, TN 38117, at our Stalag Luft III reunion at Norfolk, VA two weeks ago. He did not know of the 306th reunions or about the book.

Eight of us left Bovington and rode in a covered truck to Thurlleigh as replacement officers. Opdyke, Olsen, Couch, Sorden, Farmer, Bernstein and I can't remember the two pilots. This was October 6, although the records show October 5, 1943. I was shot down over Bremen Oct. 8 and captured two days later two miles from Holland. Opdyke, Olsen and Couch went down April 11, 1944. Farmer was taken prisoner on Oct. 14 at Schweinfurt and Bernstein died that night from injuries from not having his parachute adjusted properly.

Send Henry a copy of the Echoes and I'm sure he will buy a book and might even show up at San Antonio. At least he is a name to add to "New additions".

Look forward to seeing you in San Antonio.

as ever,

Myron L. Sorden

At the banquet last year, T. C. Olsen and Howard Sharkey were at our table. Now both are gone. We had a note yesterday from Jennie Olsen. She said she is getting along.



Former Prisoner of War
at

Stalag Luft III

May 21, 1990

Dear Russ

Glad to have the roster of the
Stalag Luft III camp. At least this
is current.

We had 1189 people at the
banquet in Norfolk on April 28.

Hope you find some names.

See you in San Antonio.

Sincerely,

Myron L. Jordan



Former Prisoner of War
at

Stalag Luft III

Sept. 23, 1992

Dear Russ:

I thought I had picked up a very bad cough in England, but when I got home many had it here, so maybe I had it when I went to England. I only got one hour sleep in London the last night! The VA Doctor put me on anti-biotics for ten days, but I still cough. I haven't felt like doing anything. Didn't even go to an Iowa football game!

I have some questions I need answered before I go to the Des Moines Convention Bureau for a 300th reunion in 1994 or 1995.

Is August acceptable as a date? I think most have been in September with exception at least Las Vegas. The Des Moines Bureau bought the rights to an Aviation Expo which uses radio controlled planes (B-29 is $\frac{1}{2}$ regular size) and manned planes. It was held in Old Blue, Iowa thru 1991. They are building a new airport just NE of Des Moines and they are building in lakes, heavy craft, oil tanks to be used in the expo. It will be back in action in August 1993 and annually thereafter. Robert Hower is part of that group.



Former Prisoner of War
at

Stalag Luft III

How many rooms do we need for display purposes and meetings? Do hotels and motels usually furnish these at no cost? How many half days are usually filled with trips. How many meals are usually reserved? Do the officers get the speakers for the banquet? I was thinking of using the Marriott. It is connected to other hotels by the "skywalk" system.

I'm sure you are wondering if I've been at the last ten reunions. My problem is in my mind, I get "Stalag Luft III" reunions ^{confused} with ours.

Maybe you have answers that I haven't asked.

How often do your directors meet? Maybe I could meet with you after I talk to the Des Moines Bureau.

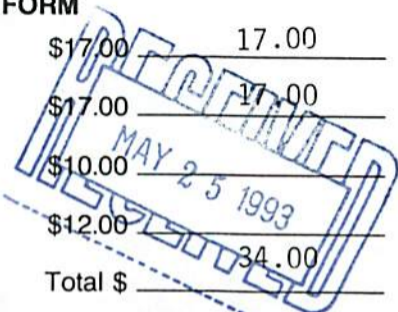
Greetings to June

Sincerely,

Myron S. Gordon

ORDER FORM

367th Combat Diary	\$17.00	17.00
369 Combat Diary (revised ed.)	\$17.00	17.00
369th Echoes , microfiche	\$10.00	
Men of the 306th , microfiche	\$12.00	
		34.00
	Total \$	



Make check payable to 306th Bomb Group Association (prices quoted include postage and packaging charges)

Would you send the 369th copy to Jenny Olsen, 5423 Silver

Spur Drive, Holiday, FL 34690. I had previously given a

Send to: Secretary 369th copy to Jenny but now each son will have one.

306th Bomb Group Association
5323 Cheval Place
Charlotte, NC 28205

Mabel V. May 93

Thanks,
Myron L. Sorden

Left to right

Opdyke, James S.	2nd Lt	0-740897	Pilot	POW	4-11-44	Died 1993
Olson, Trygve C.	2nd Lt	0-745160	Co-pil	POW	4-11-44	Died 1989
Sorden, Myron L.	2nd Lt	0-749456	Navig	POW	10-8-43	--
Couch, Clarence L.	2nd Lt	0-676557	Bomb	POW	4-11-44	Died 1972 ?

Left to right

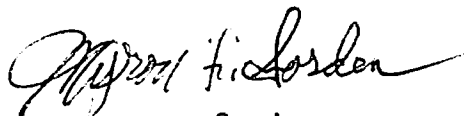
Stutts, Jasper I.	T/Sgt	14053237	AEG	unknown		
Nagy, Thomas A.	S/Sgt	33291494	AAEG	just found	Perryopolis, PA	
Christensen, Paul W	T/Sgt	36365432	ROG			Died 1990?
Owen, Harold M.	S/Sgt	32144044	AROG	KIA	11-26-43	
Graubart, Adolf	S/Sgt	12154095	AG	KIA	1-11-44	
Hudson, Kneeland H.	S/Sgt	15337139	AAG	KIA	1-11-44	

(26 crews)

We lost our new plane at Topeka. Train to Camp Kilmer, NJ. Officers were put on one transport. Gunners on another transport, which turned back to New York after one day. I was shot down before the gunners arrived in England. Two crews of officers went to the 306th on October 6, 1943. At least one other crew was sent to the 306th later

Couch and I were assigned to the 367th. He later went to the 369th. Opdyke and Olsen went to the 369th. Nagy is listed in the April Echoes as with the 423rd.

I hope Nagy can tell me about ^{Stutts.} ~~Nagy.~~


Myron L. Sorden

PERSONNEL RECORD UPDATE

306th BOMB GROUP ASSOCIATION

Date. Sept. 20., 1994 .

Complete this form and return to Russell A. Strong, Secretary, 306th BG Assoc., 5323 Cheval Place, Charlotte, NC 28205, to be filed with 306th records.

LAST NAME: SORDEN FIRST NAME: MYRON MI: L. TITLE:

Street Address: 100 East Detroit Avenue Telephone: (515) 961 5558
Apt. 306
City, State INDIANOLA, IOWA Zip + 4: 50125 - - - 1874 -

Winter Address: Telephone: ()
City, State Zip + 4: - - - - - - - - - -

Date of birth: April 27, 1918

Wife's name: Kathryn #c 2
#gc /
#ggc

College(s) attended: Penn College Degree(s), & when: BA 1939
University of Iowa MA 1947

Last employment & job title & retirement date:
Simpson College--Professor of Accounting Retired on disability, Feb. 1976

Serial #(s): 0-749456 Squadron: 367th Specialty:
Navigator

Date joined 306th: If combat, what crew?
October 6, 1943 Originally- James Opdyke
Special duties or assignments w/306th: Shot down- Thomas Ledgerwood

No of missions flown: 1 Date of last mission: Oct. 8, 1943

Date leaving 306th: Oct. 3, 1943 Highest rank/grade w/306th: 2nd. Lt.

Other 8AF units served with, and when:

Top service assignment after 306th:

USAF retirement date: Jan. 19, 1946 Rank/grade: 1st. Lt. while on terminal leave.

Copies of old 306th orders, either from the Group or Station 111, or any of the Squadrons or other units serving with the 306th, are sought by the secretary, as many of these do not appear in any collections of materials in National Archives or the Air University. My 201 file must be with the 306th, so I have
If you know of others who served with the 306th and who do not appear in the current 306th Directory, please add their names and current/WWII hometowns or other addresses to the back of this sheet so that searches may be implemented to add them to our present 306th roster. only one order.

The only one from my original Opdyke crew, Thomas Nagy was listed in the July Echoes. I have had a letter from him. I hope to see him in Oct.